



HERBISH VINYL FLOOR DRAIN RANGE

Herbish[®] vinyl floor drains are full flow floor drains to be used in conjunction with vinyl flooring and are available in a range of 9 sizes. We suggest a Green Drain[™] or MAGdrain seal for high hygienic applications because they block pathogens, gases, odours and pests.

Herbish[®] vinyl floor drains are manufactured entirely of 304ss and are corrosion resistant. Depending on Client's requirements they may be manufactured in 316ss and in thicker material to suit customer requirements.

APPLICATIONS

- Hospitals, Clinics, and high hygiene areas
- Suitable for vinyl floor installations
- Designed for both domestic and commercial applications

MATERIALS & FINISHES

- Manufactured in 304 and 316 grade stainless steel
- Available in a round flange only
- Certain products in the range are supplied standard with a hygienic seal (Green Drain or MAGdrain), others come standard with a water seal. A hygienic seal can be added on request.
- Floor drains can be ordered with or without strainers

PERFORMANCE

- Excellent corrosion resistance
- Hygienic

INSTALLATION

- Easy to install
- Tamper proof fixings for the cover is standard
- Easy to clean and maintain

MAGdrain
Magnetic Siphon & drainer

G Green Drain[™]



"If it doesn't say HERBISH, it's not a HERBISH!"

HYGIENIC HBV

VINYL FLOOR DRAINS

Comes standard with a MAGdrain or Green Drain hygienic dry seal

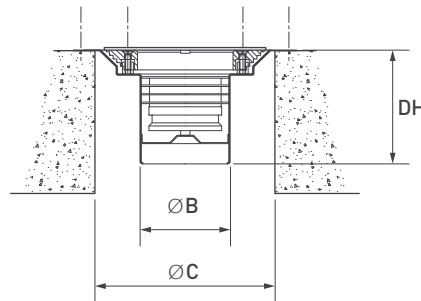
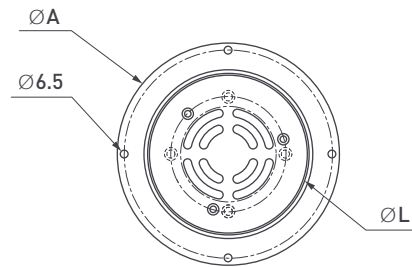
HBV50V



HBV75V



HBV100V



VERTICAL OUTLET



DESCRIPTION

ØA	Outer Flange Diameter
ØB	Connection Diameter
ØC	Core Size
DH	Drain Overall Height
ØL	Lid Diameter
T	Lid Material Thickness

DRAIN DIMENSIONS

	HBV50V	HBV75V	HBV100V
A	205mm	205mm	205mm
B	50mm	75mm	108mm
C	175mm	175mm	175mm
DH	95mm	80mm	120mm
L	168mm	168mm	168mm
T	2mm	2mm	2mm

(Client specification*)



*Standard Hygienic dry seal
MAGdrain
Magnetic Siphon & drainer



VERTICAL OUTLET



DRAIN DIMENSIONS

A	Flange Diameter	205mm
B	Drain Body Diameter	95mm
C	Drain Height	175mm
D	Outlet Diameter	50mm/76mm*

(Client specification*)

HORIZONTAL OUTLET



DRAIN DIMENSIONS

A	Flange Diameter	205
B	Drain Body Diameter	95mm
C	Drain Height	130mm
D	Outlet Diameter	50mm/76mm*

(Client specification*)

*Optional

MAGdrain
Magnetic Siphon & Drainer

Green Drain[™]

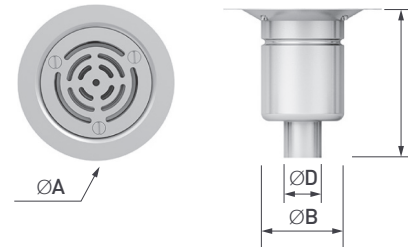
304
STAINLESS
STEEL

ABS
ABS
PLASTIC

VINYL FLOOR DRAIN

Standard ABS water seal. *Optional MAGdrain or Green Drain hygienic dry seal

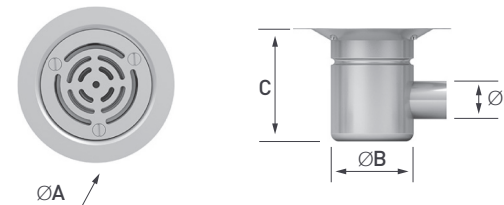
HBV125V



VINYL FLOOR DRAIN

Standard ABS water seal. *Optional MAGdrain or Green Drain hygienic dry seal

HBV125H



LID DESIGN OPTIONS

Special Orders Only*



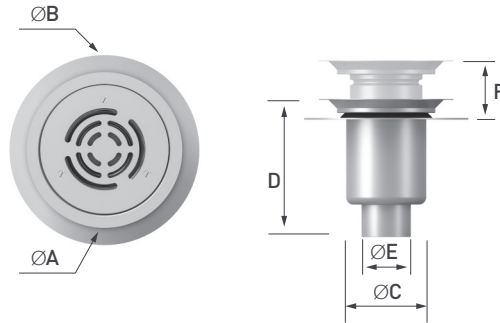
Standard Lid



Lid A*

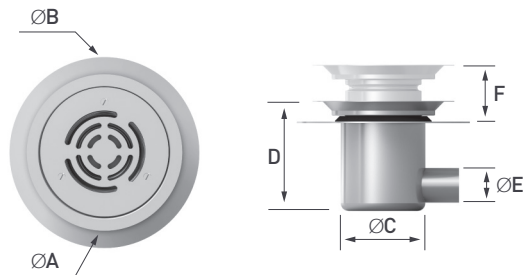
HBV125VA — ADJUSTABLE VINYL FLOOR DRAIN

Standard ABS water seal. *Optional MAGdrain or Green Drain hygienic dry seal



HBV125HA — ADJUSTABLE VINYL FLOOR DRAIN

Standard ABS water seal. *Optional MAGdrain or Green Drain hygienic dry seal



Standard Lid



Lid A*

LID DESIGN OPTIONS

Special Orders Only*

VERTICAL OUTLET



DRAIN DIMENSIONS

A	Flange Diameter	205mm
B	Water Proofing Flange Diameter	250mm
C	Drain Body Diameter	125mm
D	Drain Height	170mm
E	Outlet Diameter	50mm/76mm*
F	Height Adjustment	20mm - 60mm

(Client specification*)

HORIZONTAL OUTLET



DRAIN DIMENSIONS

A	Flange Diameter	205mm
B	Water Proofing Flange Diameter	250mm
C	Drain Body Diameter	110mm
D	Drain Height	145mm
E	Outlet Diameter	50mm/76mm*
F	Height Adjustment	20mm - 60mm

(Client specification*)



VERTICAL OUTLET



DRAIN DIMENSIONS

A	Outer Flange Diameter	295mm
B	Connection Diameter	110mm
C	Drain Diameter	185mm
D	Core Diameter	270mm
DH	Drain Overall Height	225mm
L	Lid Diameter	245mm
T	Lid Material Thickness	3mm

(Client specification*)

HORIZONTAL OUTLET



DRAIN DIMENSIONS

A	Outer Flange Diameter	295mm
B	Connection Diameter	110mm
C	Drain Diameter	185mm
DH	Drain Overall Height	225mm
L	Lid Diameter	245mm
T	Lid Material Thickness	3mm

(Client specification*)

*Optional

MAGdrain
Magnetic Siphon & Drainer

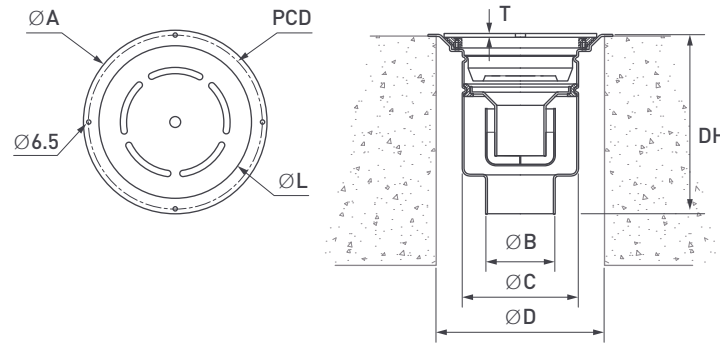
Green Drain™

304
STAINLESS
STEEL

ABS
ABS
PLASTIC

VINYL FLOOR DRAIN

Standard ABS water seal. *Optional MAGdrain or Green Drain hygienic dry seal

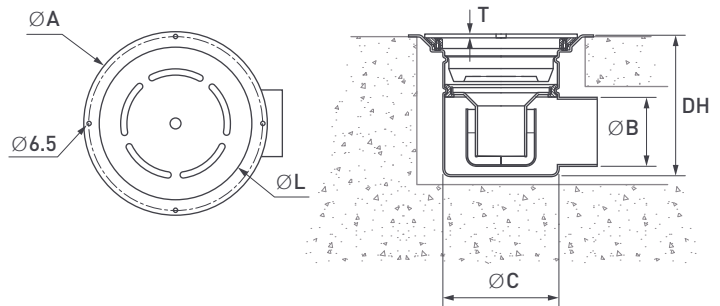


HBV200V



VINYL FLOOR DRAIN

Standard ABS water seal. *Optional MAGdrain or Green Drain hygienic dry seal



HBV200H



Herbish range of Vinyl Floor Drains
are exclusively distributed in South Africa by



CONTACT DETAILS

HERBISH HEAD OFFICE

Physical Address

1331 Spyker Crescent
Stormill Ext. 2
Roodepoort, 1709

Contact Numbers

+27 (0)11 474 2644
+27 (0)11 474 2647

E-mail

sales@herbish.co.za

POLYSALES HEAD OFFICE

Physical Address

8b Buwbes Road North
Sebenza, 1610

Contact Number

+27 (0)11 609 3500

E-mail

marketing@polysales.com

Website

www.polysales.com

